


ACCESSING THE USER MANUAL

You can access the user manual in the app by clicking on the icon  in the top right at the start of module installation. If the module is already installed, go to the “Settings” tab in the “My Pool Extender” sub-menu. This manual is also available online: <https://support.myindygo.com>

REMINDER

- Please observe the installation and operating conditions in the user manual. You can download this manual through the MyIndygo app.
- POOL EXTENDER is exclusively for use with private family pools.
- Only accredited professionals can install and carry out maintenance operations, as per applicable standards.
- During work, the electrical power supply must be shut down.

1 – Overall presentation

POOL EXTENDER is a smart management module for private pools enabling automatic, intelligent management for the four auxiliary equipment items – operations and programming (lighting, heat pump, robotic pool cleaner, water treatment, etc.).

You can control POOL EXTENDER locally via Bluetooth or remotely by linking it to the LR-MB-POOL communication gateway to connect it to the Internet.

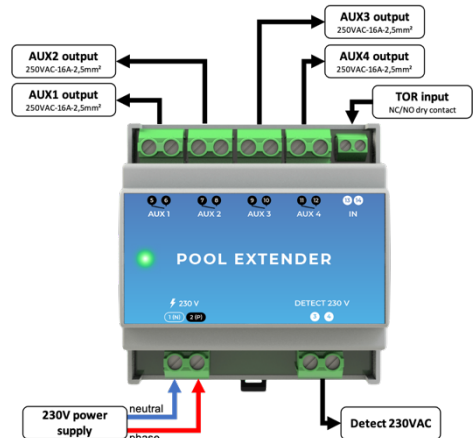
2 – Unit installation and wiring

There are several ways to connect the unit to install POOL EXTENDER. View the user manual available on the mobile app at the beginning of the installation for more details.

The product must be powered with 230 VAC (terminals 1-2)

It has :

- 4 x 16 A auxiliary relays to control the four auxiliary equipment items (terminals 5-6, 7-8, 9-10 et 11-12)
- 1 x 230 VAC detection input (terminals 3-4) to slave the auxiliary equipment items in a given mode: heat pump/robotic pool cleaner/water treatment/other
- 1 x NO-NC dry contact input (terminals 13-14) to control auxiliary equipment items in a given mode: lighting/other



You can access the controls and data in the MyIndygo app or <https://myindygo.com/>.

The connections for other types of equipment are given in the user manual.

3 – Initial set up

1. Download the MyIndygo app (or another SOLEM-compatible app) to your smartphone.
2. Open the app, create your account and enter the settings for your swimming pool.
3. Check your Bluetooth is enabled and that you have an Internet connection.



LR-MB-POOL GATEWAY LINKING (remote control over the Internet)

4. Install and connect the LR-MB-POOL gateway inside your home in an area with WiFi cover. Ideally, you should install it in a room looking out onto the pool.

IMPORTANT!

LR-MB-POOL works using 2.4 GHz WiFi. If you have a 5 GHz WiFi, please also activate the 2.4 GHz bandwidth on your modem.

5. Position yourself within Bluetooth range of the LR-MB-POOL gateway and launch the installation on the app. Following installation, wait one (1) minute and check the LED indicating Internet connection switches to green.
6. Position yourself within Bluetooth range of POOL EXTENDER and launch the installation. Follow the instructions.
7. Once installation is complete, the app runs a communication test between the module and the LR-MB-POOL gateway. If this test fails five (5) times in a row, move LR-MB-POOL closer or position it elsewhere to improve radio communication with POOL EXTENDER.

INSTALLATION IN BLUETOOTH VERSION ONLY (local control)

8. When the app asks if you want to install an LR-MB-POOL, select “No”, then follow the POOL EXTENDER installation instructions.

REMOTE CONTROL FROM A PC (with LR-MB-POOL only)

9. Enter the following address: <https://myindygo.com> in an Internet browser and give the account login details (username and password).

GRANT PERMISSION TO YOUR POOL INSTALLER TO ACCESS YOUR DATA

Your pool installer can help you manage your pool by accessing its data.

10. They will send an access request to your account’s email address. You can then grant permission to access your pool data.
11. You can also manage this right of access at any time by going to your user profile (bottom left) on <https://myindygo.com> and clicking the Business tab.