

Smart Connected Pool Timer

POOL COMMAND



Installation & User Manual

Table of contents

1 -	IMPORTANT INSTRUCTIONS AND REMINDERS	3
2 -	GENERAL PRESENTATION	3
3 -	PACKAGE CONTENTS	4
4 -	POOL COMMAND SPECIFICATIONS	4
5 -	PRECAUTIONS FOR USE	5
6 -	MODULE CONNECTION	5
A/	CONNECTING THE FILTRATION PUMP	5
B/	CONNECTING THE TEMPERATURE PROBE	6
C/	CONNECTING THE AUTOMATIC COVER	7
D/	CONNECTING AUXILIARIES 1 & 2	7
a -	<i>Connecting a projector</i>	8
b -	<i>Connecting a heat pump</i>	8
c -	<i>Connecting a salt chlorinator</i>	11
d -	<i>Connecting a hydraulic robot</i>	12
7 -	COMMISSIONING PHASE	13
A/	DOWNLOADING MYINDYGO APPLICATION	13
B/	CREATING YOUR ACCOUNT ON THE APPLICATION	13
C/	PAIRING THE LRMB RADIOCOMMUNICATION ANTENNA	13
D/	PAIRING THE POOL COMMAND	13
E/	PAIRING THE POOL COMMAND TIMER ON AN EXISTING ACCOUNT	14
F/	FUNCTIONAL VERIFICATION OF THE INSTALLATION	14
G/	BLUETOOTH PAIRING OF POOL TECHNOLOGY IPX WATER TREATMENT DEVICE	15
8 -	USING THE POOL COMMAND MODULE	15
H/	FILTRATION MANAGEMENT	15
I/	LIGHTING PROGRAMMING	17
J/	HEAT PUMP PROGRAMMING	17
K/	WATER TREATMENT PROGRAMMING	17
L/	HYDRAULIC ROBOT PROGRAMMING	17
M/	OTHER EQUIPMENT PROGRAMMING	17
N/	CONTROL OF A COMPATIBLE BLUETOOTH DEVICE	18
O/	ALERTS CONFIGURATION	18
P/	SETTINGS MENU	18
Q/	MYINDYGO.COM WEB PLATFORM	18
9 -	FAQ	19
10 -	TECHNICAL CHARACTERISTICS	20

1 - Important Instructions and Reminders

IMPORTANT!

The installation of the POOL COMMAND module must be carried out by an authorized professional in accordance with the standards in force in the country of installation. During its installation, as well as during any technical intervention on it, the electrical installation of the swimming pool must be switched off. Only a qualified person can intervene on the device in the event of a breakdown or to ensure maintenance.

1. Before installing and commissioning the product, please read all the instructions in this manual carefully. Failure to follow these instructions may cause damage to equipment or risks to people. The safety instructions presented in this manual cannot be exhaustive. Also, the user is called upon to exercise caution and common sense when installing, handling and using the equipment.
2. The product described in this manual is exclusively reserved for use in private family swimming pools. The analyses provided by the module cannot be used as part of the sanitary control imposed on collective swimming pools.
3. The analysis and automation processes carried out by the device do not exempt the user from regularly checking the condition of his pool, and from ensuring that the configuration of the device is in line with the needs of the pool, in particular for thermoregulation and frost protection functions. In addition, the user must ensure that his installation is in good working order, and that it meets the norms and standards for treatment. He must also ensure maintenance of the equipment in accordance with the recommendations proposed in this manual.
4. In the event of failure, the manufacturer cannot be held liable beyond repair or replacement of the product within the framework of its legal warranty. The maintenance and water treatment operations remain under the full responsibility of the user, so any deterioration of the swimming pool equipment linked to a treatment error cannot be attributable to a failure of the equipment.
5. The connection of auxiliary equipment (filtration pump, lighting, heat pump, etc.) must be carried out in accordance with the recommendations for the installation and use of this equipment, and remains the sole responsibility of the installer. Before any installation, take time to read the technical manuals of the equipment to be connected. The connection information presented in this manual is provided for informational purposes only and does not replace the installation and use instructions of the equipment.

2 - General Presentation

POOL COMMAND is a connected control module for residential swimming pools which allows automatic and online management of filtration, and which also allows remote programming and control of two auxiliary equipment (Lighting, Heat Pump, Electrolyser, Hydraulic Robot, etc.).

This module has a temperature sensor and a cover position input.

POOL COMMAND can be controlled locally by Bluetooth and or remotely by associating it with the LRMB-POOL radio communication gateway which allows the module to be connected to the Internet.

The control and analysis of the data measured by the POOL COMMAND module can be carried out from a smartphone or a tablet using **MyIndygo** applications available free of charge on mobile application stores (App Store or Google Play), or even from a PC by connecting to **myindygo.com** web platform.

IMPORTANT!

Remote control of POOL COMMAND requires associating it with an LRMB-POOL, LRMB-10 or LRMB-30 radio communication antenna. (POOL COMMAND is not compatible with LRMB-25 manufactured until 2019).

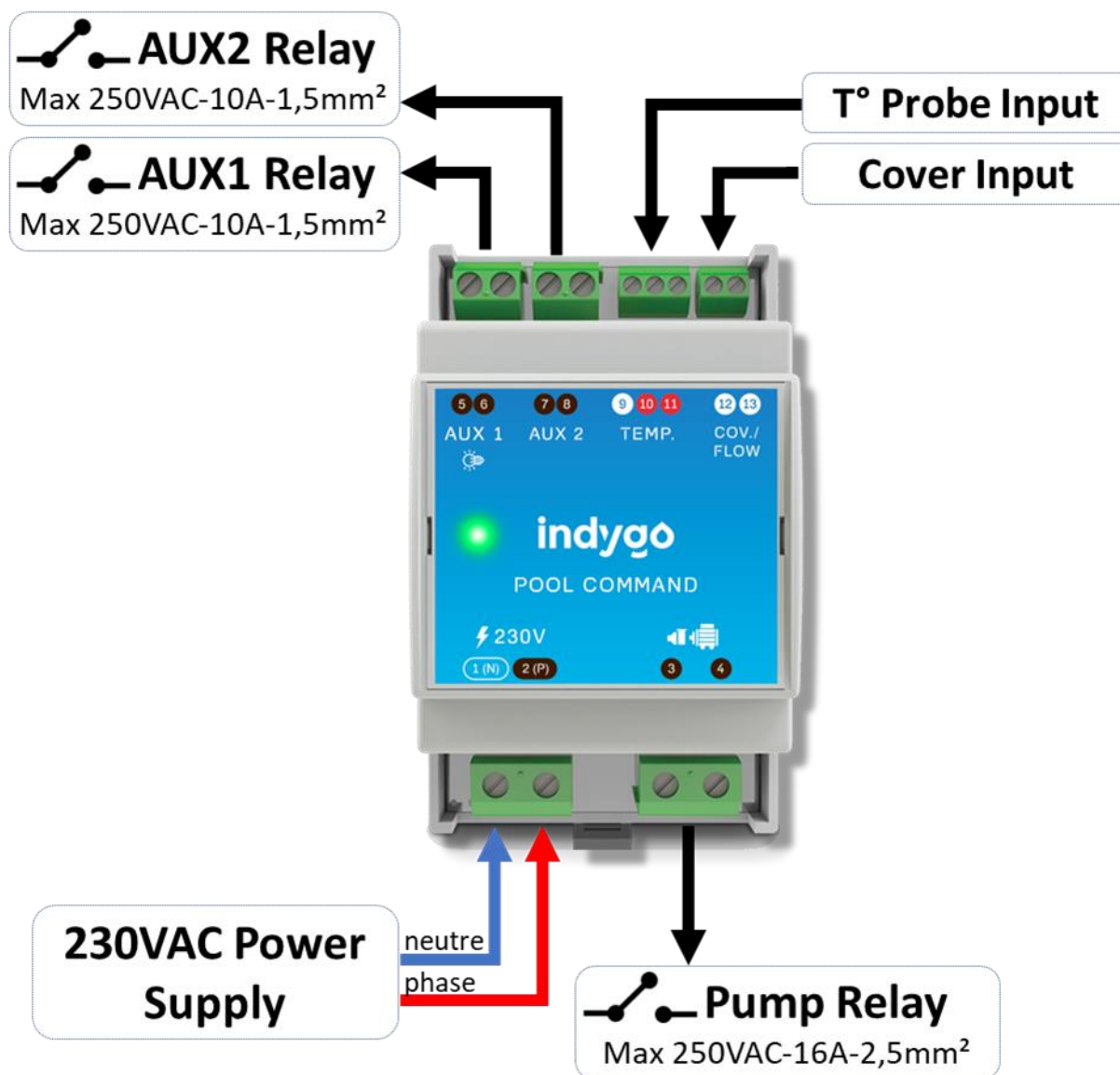
3 - Package contents

- The POOL COMMAND box
- 1 water temperature probe (type PT100)
- 1 ½ probe holder
- 1 support collar Ø50-½ (products manufactured from 01/02/21)
- A quick start guide

4 - POOL COMMAND specifications

The POOL COMMAND timer has:

- One 230VAC 50Hz mains power input
- One Filtration pump relay (max breaking capacity 250VAC-16A-2.5mm²)
- One AUX1 relay (max breaking capacity 250VAC-10A-1.5mm²)
- One AUX2 relay (max breaking capacity 250VAC-10A-1.5mm²)
- One Temperature probe input
- One cover position input (or flow sensor, empty container, etc.)



Control and access to data are accessible from the MyIndygo application or on <https://myindygo.com/> web platform.

5 - Precautions for Use

IMPORTANT!

When installing the module, as well as during any technical intervention on it, the electrical installation of the swimming pool must be switched off. Only a qualified person can intervene on the device in the event of a breakdown or to ensure maintenance.

The POOL COMMAND module is not waterproof and it must be installed in an electrical box equipped with DIN rails (Omega) protected from splashing water and humidity.

6 - Module Connection

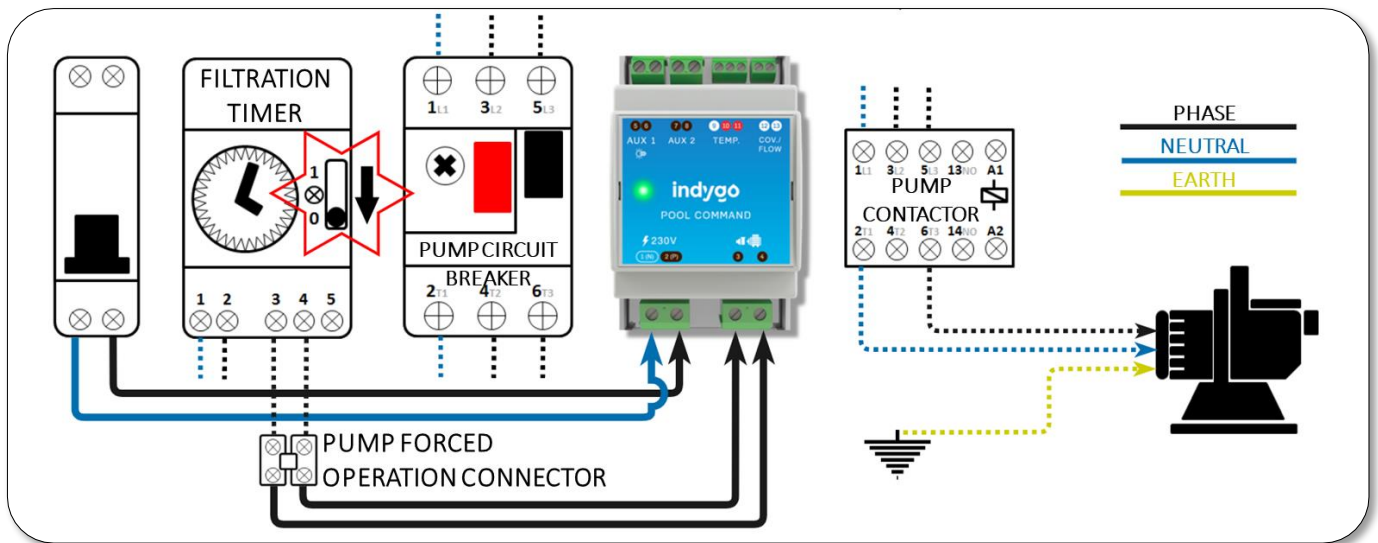
Several connection methods are possible to install the POOL COMMAND module. Choose the example that seems best suited to your situation and systematically check the compliance of the cabling with the standards in force in your country.

A/ Connecting the filtration pump

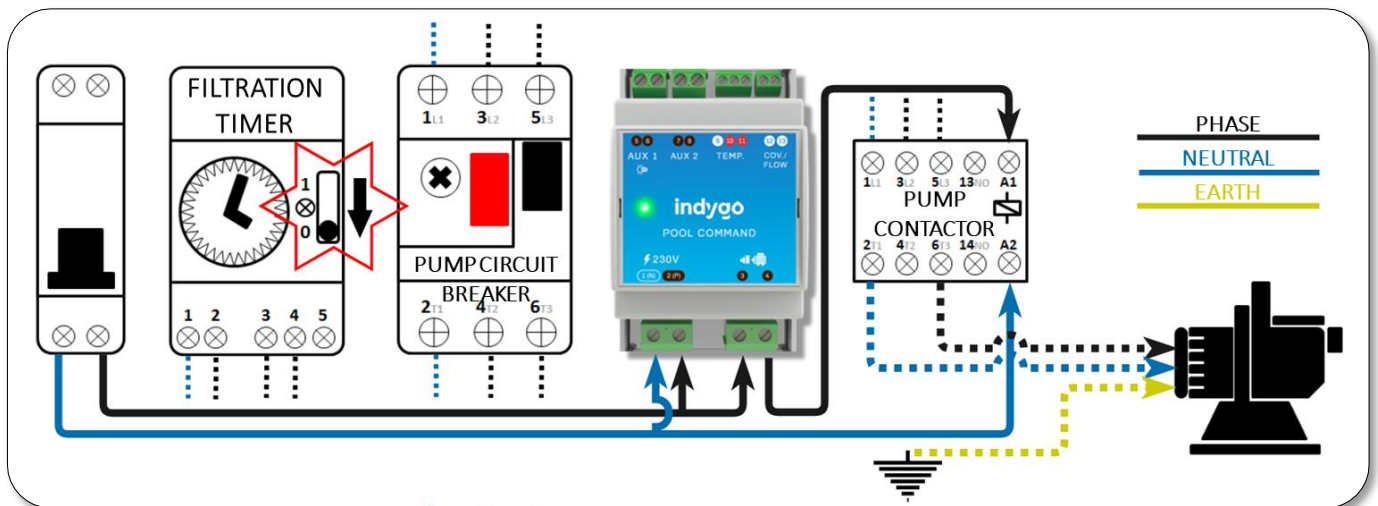
The POOL COMMAND module can be installed leaving the filtration timer in place with its existing connection. Keeping the timer enables to manually manage the installation (without going through the POOL COMMAND module) if necessary. To allow the POOL COMMAND module to manage filtration, the pool timer must be set to the OFF position ("0" position). The filtration pump is controlled by the filtration relay (terminal 3 and 4).

The module can be connected as follows:

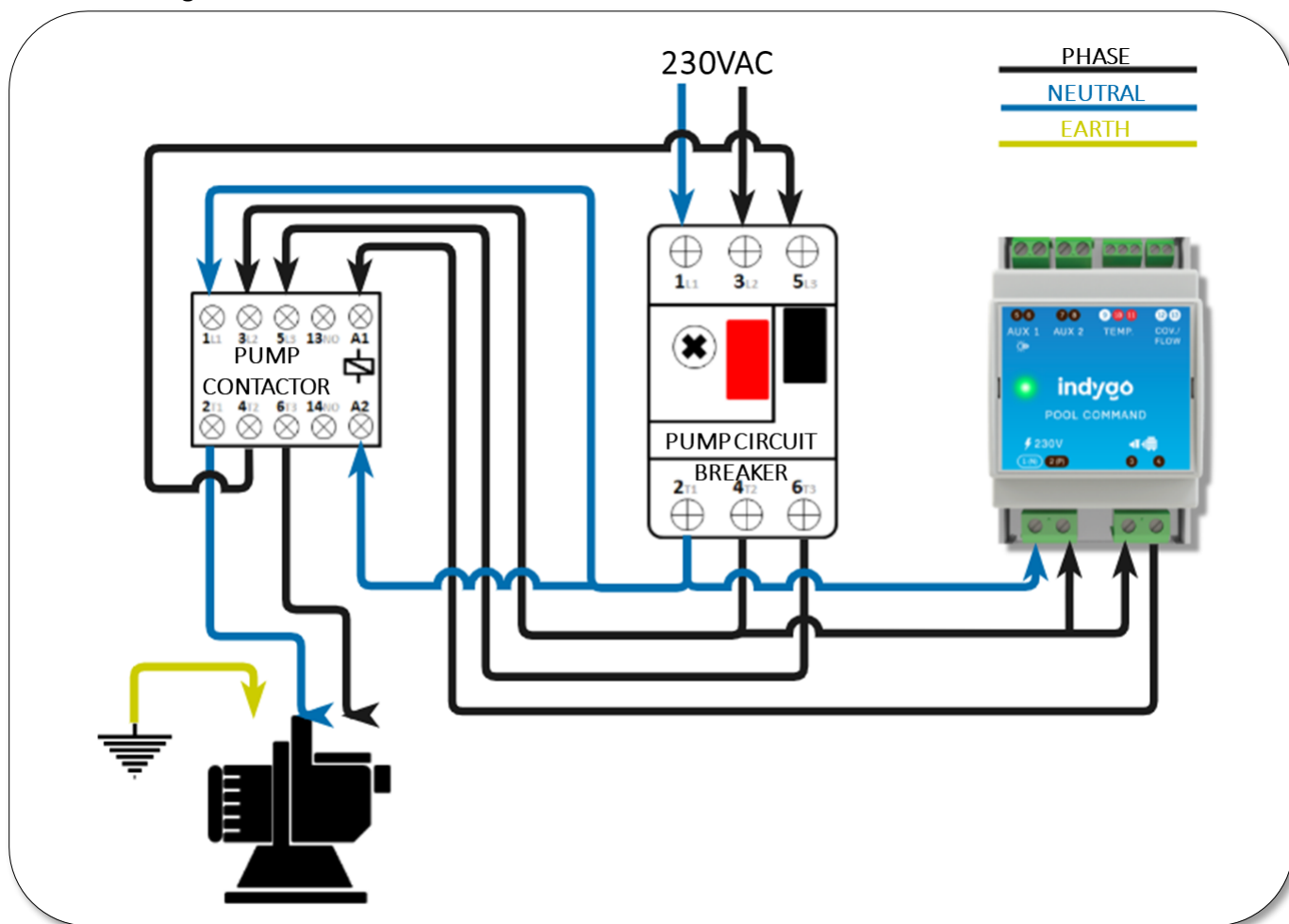
CONNECTION TO THE PUMP FORCED OPERATION INPUT



DIRECT CONNECTION TO THE PUMP CONTACTOR

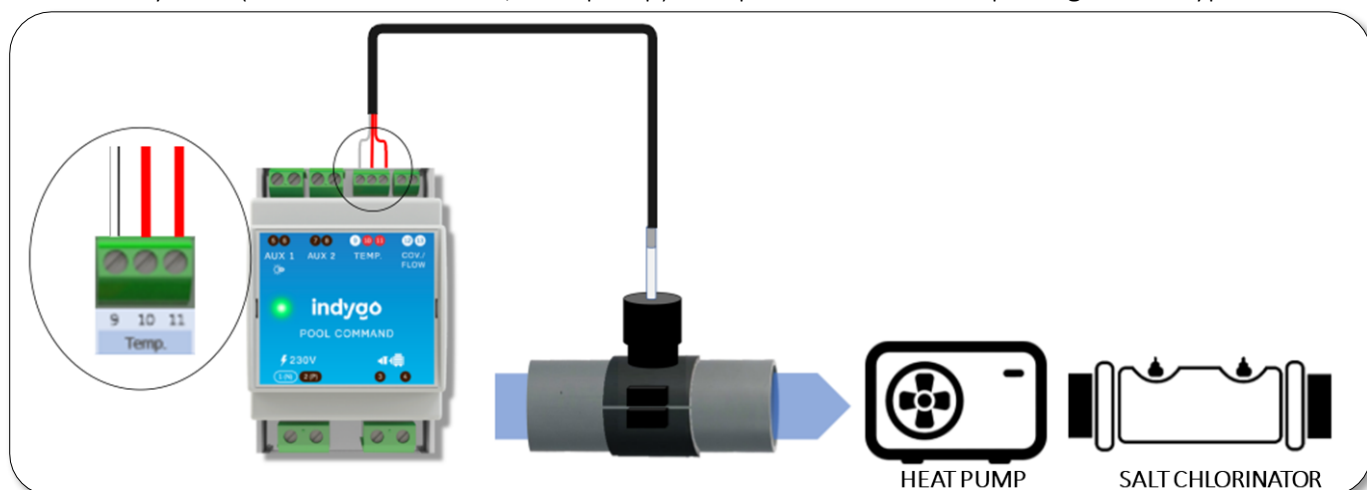


Finally, you can also install the POOL COMMAND module instead of the pool timer, respecting the following connection diagram :



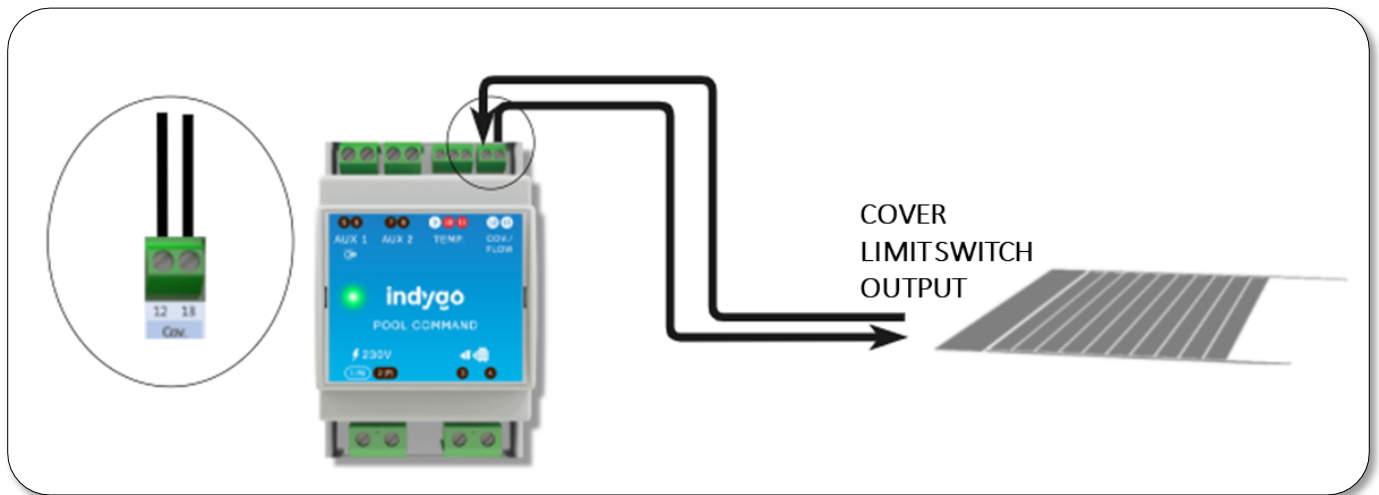
B/ Connecting the temperature probe

The temperature probe must be installed on a paddle clamp positioned in line after the filter and before any treatment system (salt chlorination cell, heat pump). It is preferable to avoid placing it on a bypass.

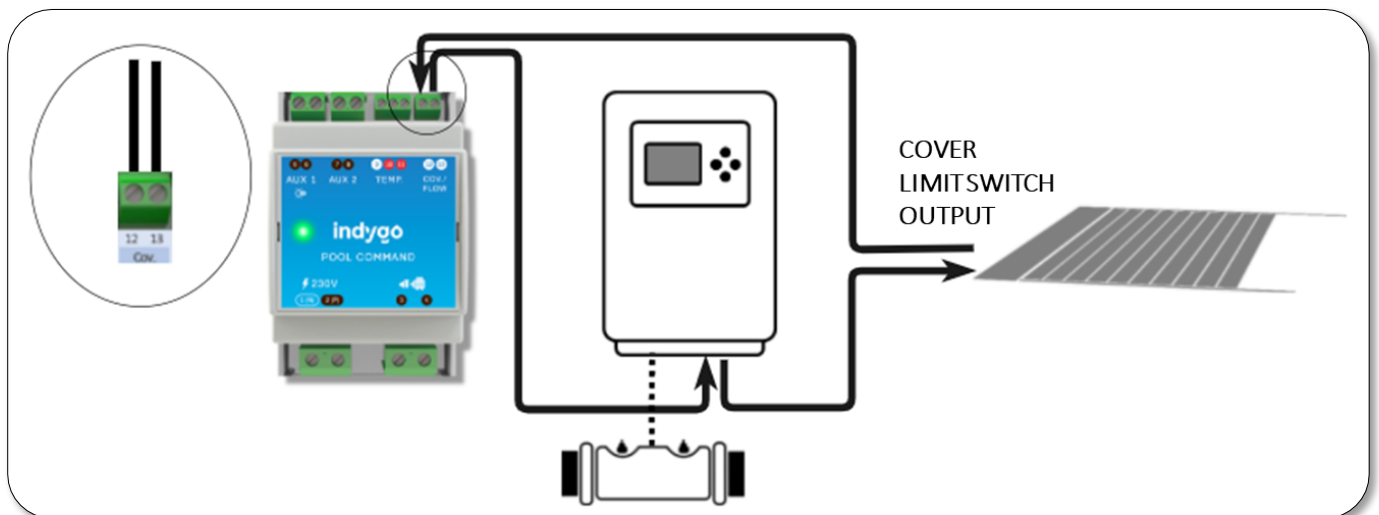


C/ Connecting the automatic cover

Connect the cover limit switch to the cover input. The connection direction can be done indifferently.



If your limit switch is connected to a salt chlorinator, you can make the following connection:



D/ Connecting auxiliaries 1 & 2

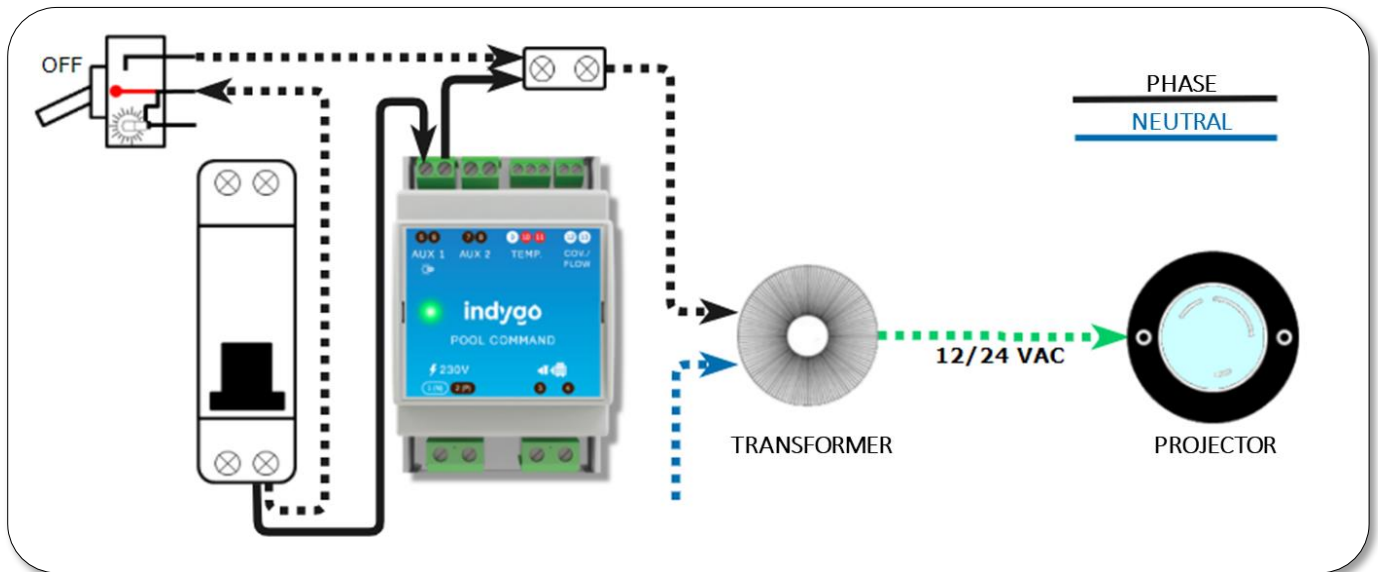
POOL COMMAND enables controlling two auxiliary equipment such as:

- A projector
- A heat pump
- A hydraulic robot
- A salt chlorinator
- An automatic backwash system
- Any equipment that can be controlled by its power supply (fountain, counter current system, etc.).

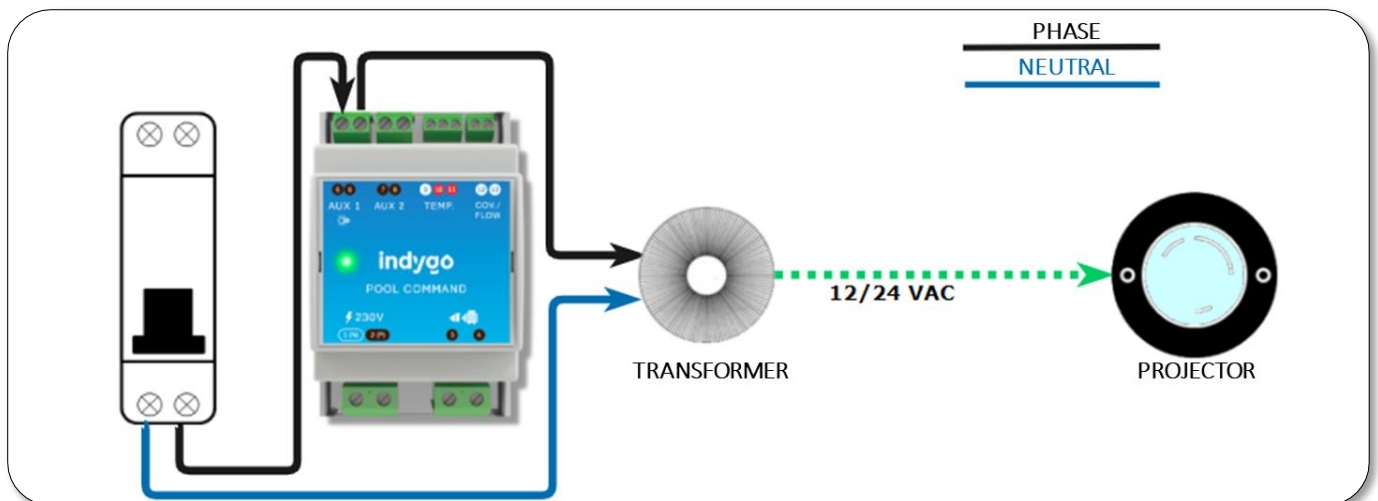
The auxiliary equipment is controlled by the AUX 1 (terminal 5 and 6) and AUX2 (terminals 7 and 8) relays. Each device has its own operating mode within the application.

a - Connecting a projector

If the projector is connected to a switch, it is possible to keep it and connect the projector to the POOL COMMAND by bypassing the phase connecting the light switch to the transformer as shown below. In this way, it is still possible to turn on the lighting manually. **Please note, to allow the POOL COMMAND to control the lighting, the switch must then be in the OFF position.**



If the installation does not have a switch, make the following connection :



b - Connecting a heat pump

WARNING!

A heat pump should only operate when the filtration pump is running. Also, the electrical connection of the heat pump to the POOL COMMAND must always be made in such a way as to guarantee the simultaneous operation of the filtration pump and the heat pump.

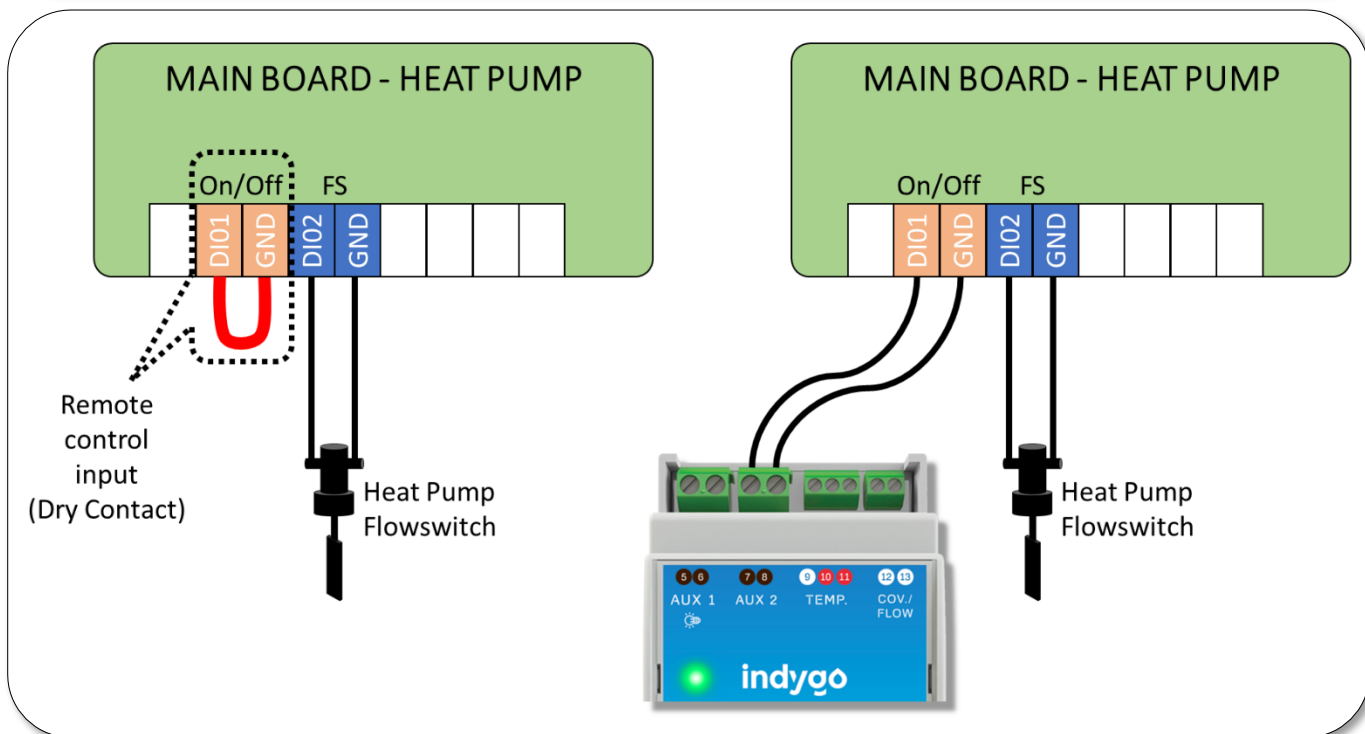
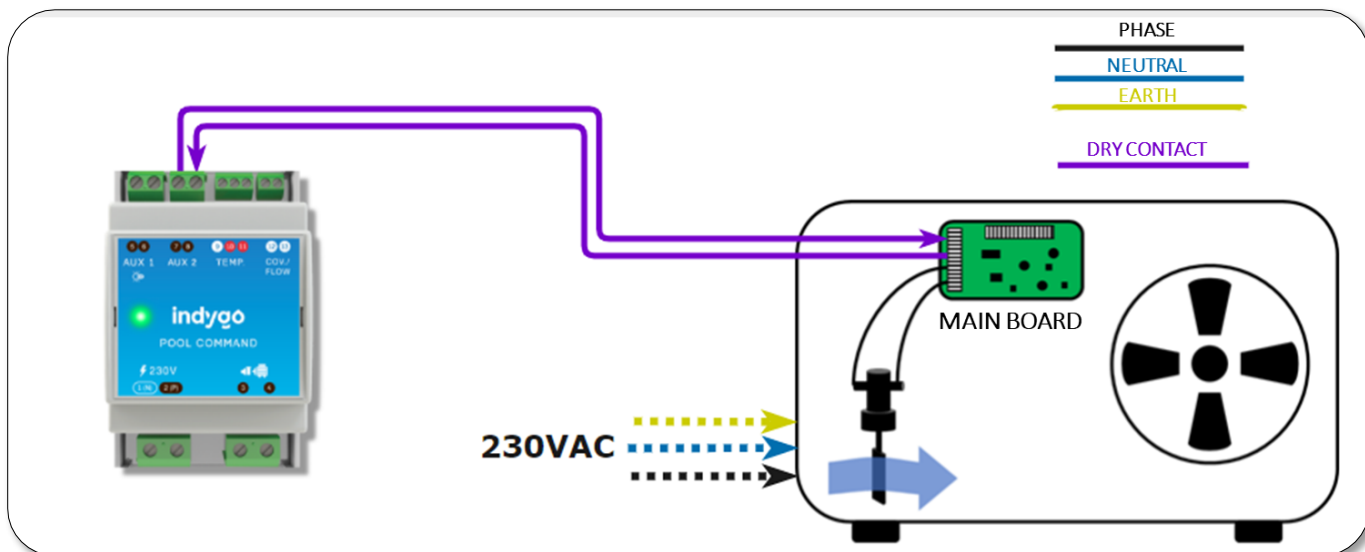
WARNING!

Many heat pumps have a control terminal block allowing the filtration pump to be controlled by the heat pump. This power supply terminal block is usually located next to the heat pump power supply terminal block. The POOL COMMAND module must never be connected to this terminal block.

The connection of POOL COMMAND to a heat pump can be done in two different ways.

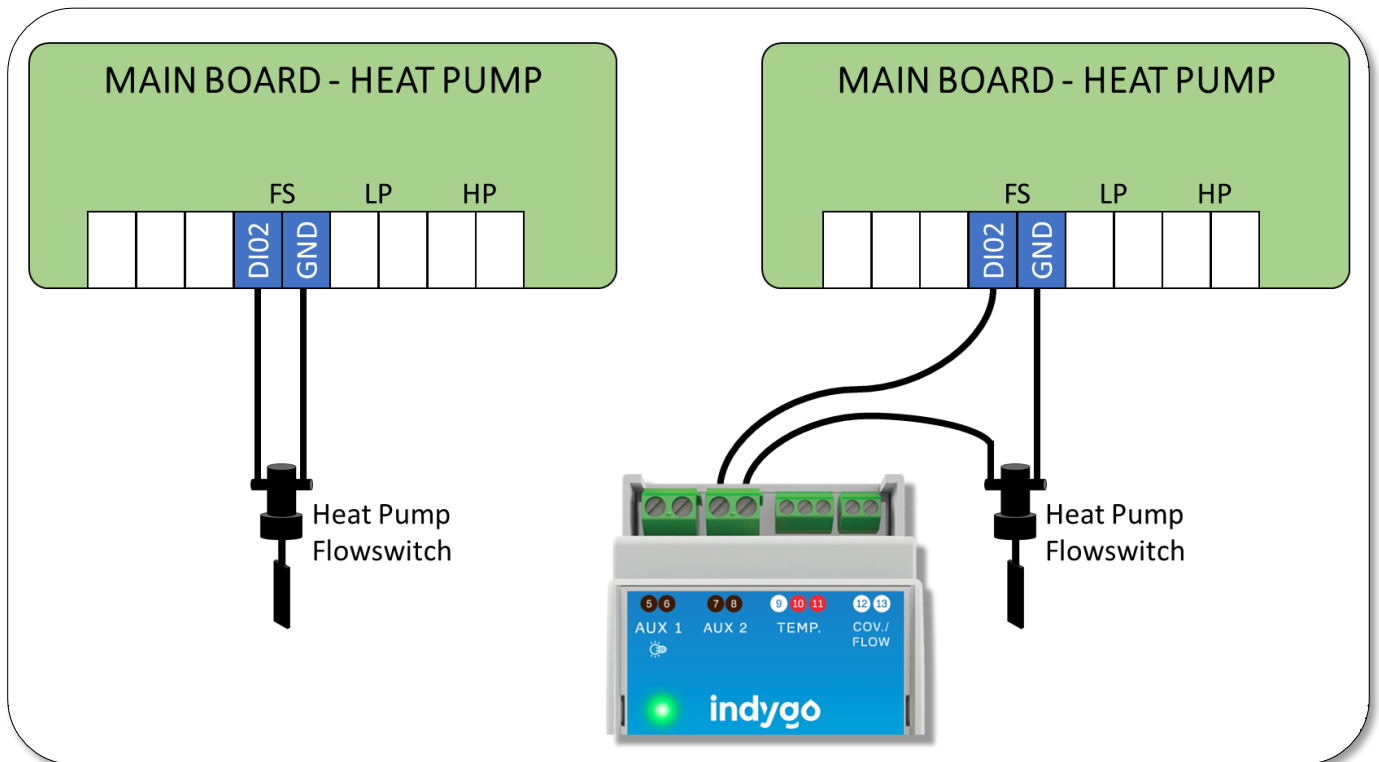
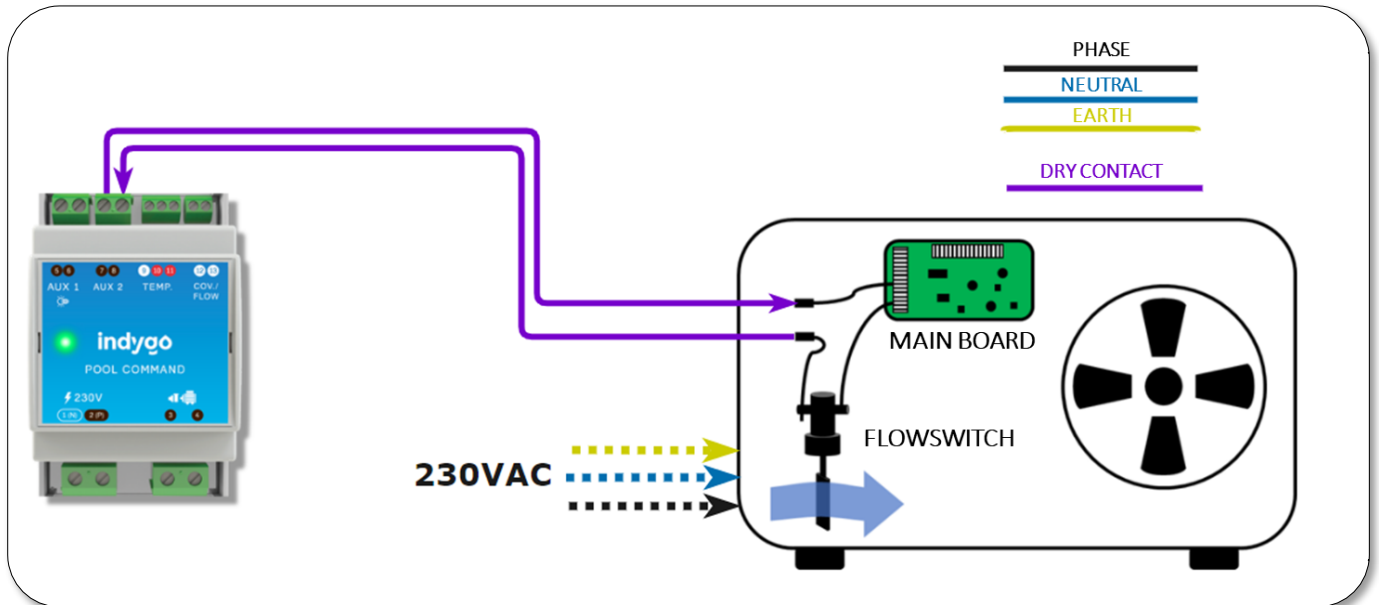
- **HEAT PUMP WITH ON / OFF REMOTE CONTROL INPUT**

If main board of the heat pump has an ON/OFF remote-control input (dry contact type), connect the AUX1 or AUX2 terminal block as follows :



- HEAT PUMP WITHOUT ON / OFF REMOTE CONTROL INPUT

If the heat pump does not have an ON/OFF remote-control input, then use the heat pump flowswitch by connecting it in series to the AUX 1 or AUX2 terminal block of the POOL COMMAND as follows:



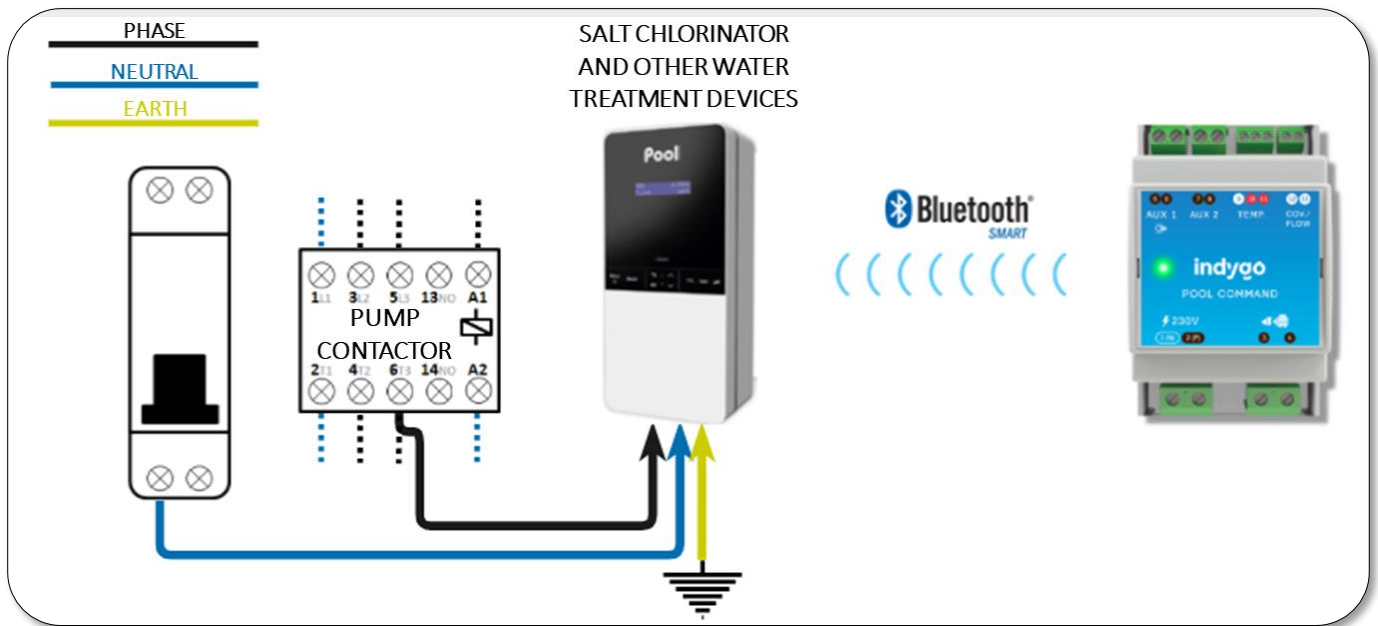
c - Connecting a salt chlorinator :

WARNING!

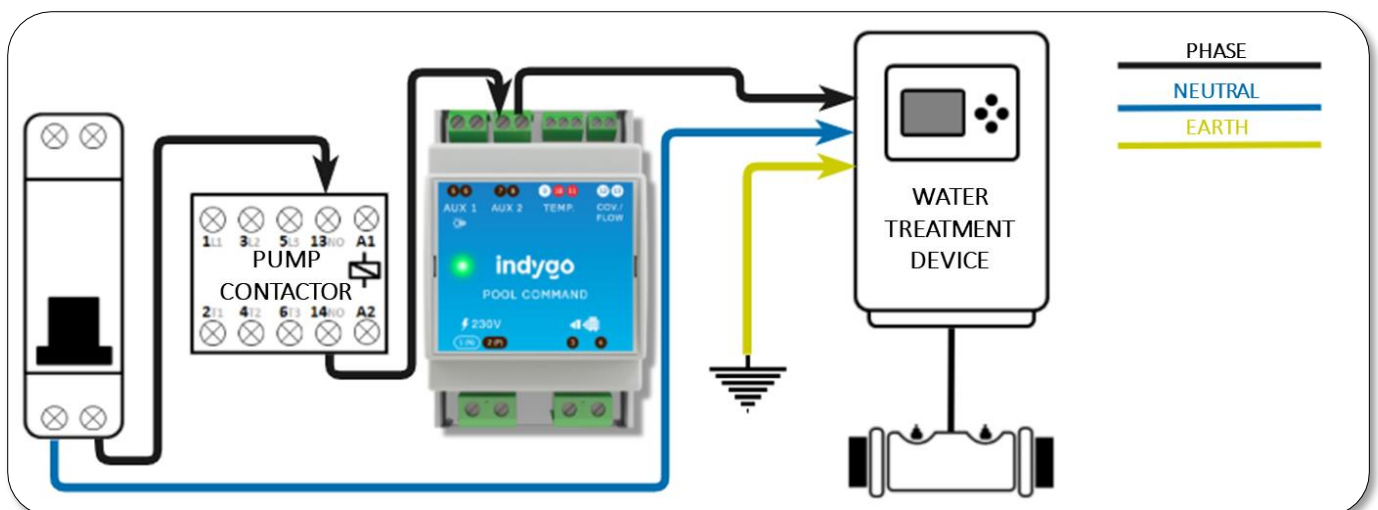
Salt chlorinators should only operate when there is flow through the chlorination cell. Also, the electrical connection of a salt chlorinator must always be made in such a way as to guarantee the operation of the filtration pump during the operation of the salt chlorinator.

- **BLUETOOTH WATER TREATMENT MANUFACTURED BY POOL TECHNOLOGIE**

Pool Technologie's Bluetooth water treatment devices (and other Distributor brands) can be controlled by POOL COMMAND using a Bluetooth link established between the two devices. Also, it is not necessary to physically connect these water treatment devices to the POOL COMMAND. The treatment device should be connected as standard as shown below.



- **STANDARD SALT CHLORINATOR AND OTHER TREATMENT DEVICES**

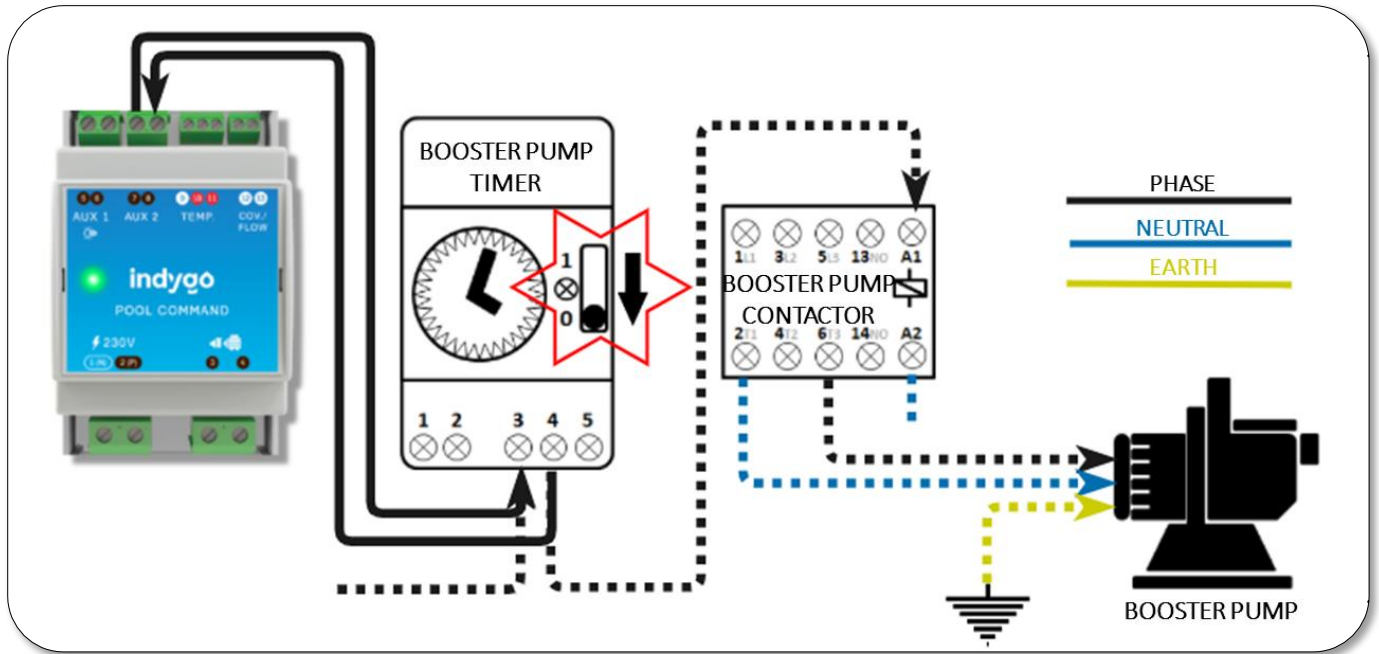


d - Connecting a hydraulic robot:

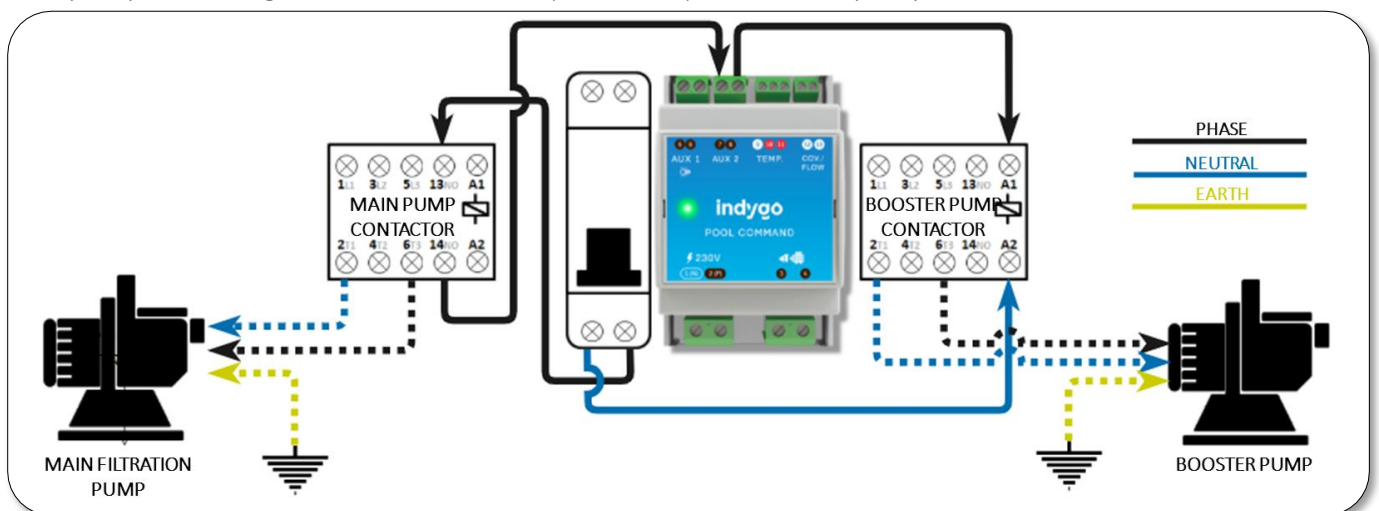
WARNING!

Hydraulic robots (with booster pump) should only operate when the filtration pump is running. Also, the electrical connection of a hydraulic robot to the POOL COMMAND module must always be made in such a way as to guarantee the simultaneous operation of the filtration pump and the robot booster pump.

If the booster pump has a programming timer, it is possible to connect the POOL COMMAND module directly to the programming timer of the robot booster pump as follows. In this case, be sure to set the booster's programming timer to the OFF position so that it can be controlled by the POOL COMMAND module.



If the booster pump does not have a timer, the POOL COMMAND module will be connected so as to control the booster pump contactor. However, in order to ensure that the booster pump only operates when the filter pump is running, the servo terminals (13 and 14) of the filter pump contactor should be used.



7 - Commissioning phase

A/ Downloading MyIndygo application

1. On your smartphone and / or tablet, go to your store
2. Download MyIndygo application
3. Check that Bluetooth is activated before starting the commissioning.



B/ Creating your account on the application

4. Launch the application on your phone / tablet.

IMPORTANT!

During the installation process, it is imperative that the phone / tablet is connected to the internet.

5. During the first connection, create an account by entering an email address and a password.
6. Once the account is created, follow the installation instructions
7. You will first have to create a swimming pool and locate it.
8. Once the pool has been created, choose the type of module to install
9. If you have a LoRa-WiFi LRMB antenna, answer "YES" when the application offers to install it. Otherwise, answer "NO" and go directly to commissioning the POOL COMMAND

C/ Pairing the LRMB radiocommunication antenna

10. Install and connect the LRMB antenna inside the house in an area covered by WiFi. To optimize communication with the POOL COMMAND module, prefer the installation locations closest to the pool.
11. Write down the name and password of the WiFi network to which the LRMB antenna will be connected. This information will be requested when commissioning the antenna.

IMPORTANT!

The LRMB antenna only works with **WiFi in the 2.4GHz band**. If the network is only in 5GHz, then activate the 2.4GHz band

12. With the phone in hand, stay next to the LRMB antenna then click "Yes" when the application offers to install the LRMB module "
13. Follow the commissioning instructions
14. At the end of pairing, wait about 1 minute to check that the red LED turns steady green, signifying that the module is correctly connected to the Internet. In the event of an update, the LED may flash green for approximately 1 minute. **If the LRMB LED does not turn green (probable error entering the WiFi password), complete the installation of the POOL COMMAND module, then go to the "Settings" tab, click on "My relay" then "Network settings" and re-enter the WiFi password.**

D/ Pairing the POOL COMMAND

15. Turn on the filtration box. The LED on the front of the POOL COMMAND is red until the module has been associated with the account.
16. With the phone in hand, stay next to the POOL COMMAND module, click on "Add another module", then click on "POOL COMMAND" and follow the installation instructions.
17. Select the type of equipment you have connected to auxiliaries 1 & 2.
18. Select the type of sensors installed on the module:
 - a. Temperature sensor: if you have installed a POOL SENSE or POOL GUARD analyser equipped with a temperature probe, you can use the temperature probe of your analyser as a reference probe for thermoregulation and frost protection mode by choosing "analyser temperature" when configuring the module. Otherwise, choose "Temperature probe" to use the POOL COMMAND temperature probe as a reference (recommended).

IMPORTANT!

If you use the analyser temperature probe as a reference sensor ("analyser temperature" configuration), in case of winterizing of your analyser, don't forget to change the configuration of the sensor to "temperature probe" in order to operate the frost protection mode during the wintering of your analyser module.

- b. Cover sensor in "Normally open" (standard) or "Normally closed" mode.
19. If you have installed an LRMB-POOL radio communication antenna, at the end of the installation, the application performs a communication test to verify that the POOL COMMAND module enables communicating with the LRMB-POOL antenna. If you encounter more than 5 successive failures of this test, move closer the LRMB antenna to facilitate its radio communication with the POOL COMMAND module.

E/ Pairing the POOL COMMAND timer on an existing account :

If you already have an installation on your MyIndygo swimming pool application, you can add the POOL COMMAND module by going to the "Settings" tab of the application and clicking on "Add a connected timer".

F/ Functional verification of the installation :

Once the installation of your module is complete, perform the following operations to verify the correct operation of your installation :

- 1) Put your filtration box in "Automatic Filtration" mode.
- 2) If you have kept the original clock, put it in position "0" to stop its operation.
- 3) Launch the application on your smartphone.
- 4) In the Command tab of the application, turn the filtration "ON" and verify that the filtration pump turns on.
- 5) In the POOL COMMAND Commands tab, set the auxiliary equipment (Aux1 and Aux2) to "ON" and check that the equipment turns on.

IMPORTANT !

Starting auxiliary equipment may require the filtration pump to be on, or it may cause the filtration pump to start automatically, as follows:

- TREATMENT auxiliaries (salt chlorinator type): this equipment does not start unless filtration is active.
- HEAT-PUMP and ROBOT auxiliaries : when you activate these devices, the POOL COMMAND automatically activates filtration (unless the latter is in OFF mode).

- 6) Close the pool cover and check that the application detects that the cover is closed (wait 2 to 3 minutes).

NOTE

NB : the cover limit switch can operate in "Normally open" or "Normally closed" mode. If the Open / Close detection is reversed, change the cover sensor configuration ("Settings" -> "My Pool Command" -> "Configuration") to reverse the direction of detection.

- 7) Check that the temperature returned by the POOL COMMAND module is consistent with the temperature of your pool.

Once these operations have been carried out, you can proceed to programming.

G/ Bluetooth Pairing of POOL TECHNOLOGY IPX water treatment device :

IMPORTANT !

Pairing the POOL COMMAND with a compatible Bluetooth device is only possible if the POOL COMMAND is associated with an LRMB-POOL antenna

- 1) Using the application, turn on the filtration so that the treatment device operates during the association phase.
- 2) Check that the Bluetooth is activated on the water treatment device (Communication menu).
- 3) Check that the firmware of your water treatment device is up-to-date by connecting to it using the ePool application
- 4) Close the ePool application before starting the association with the POOL COMMAND
- 5) Stay within Bluetooth range of POOL COMMAND.
- 6) In the "Settings" tab of the application, click on "Connect Bluetooth IPX device".
- 7) Scan the QR code of the Bluetooth device to pair.
- 8) If the QR code is not available, click on the Pen at the top left of the window and enter the serial number of the water treatment device to be associated (the serial number can be found in the "Information" menu of device).
- 9) Validate and then wait for the end of the association between the two devices (this operation may take 2 to 3 minutes).
- 10) Once the association is complete, the device and its data will appear in the "Indicators" and "Command" tabs. It may take up to 5 minutes for the first data to come up.

8 - Using the POOL COMMAND module :

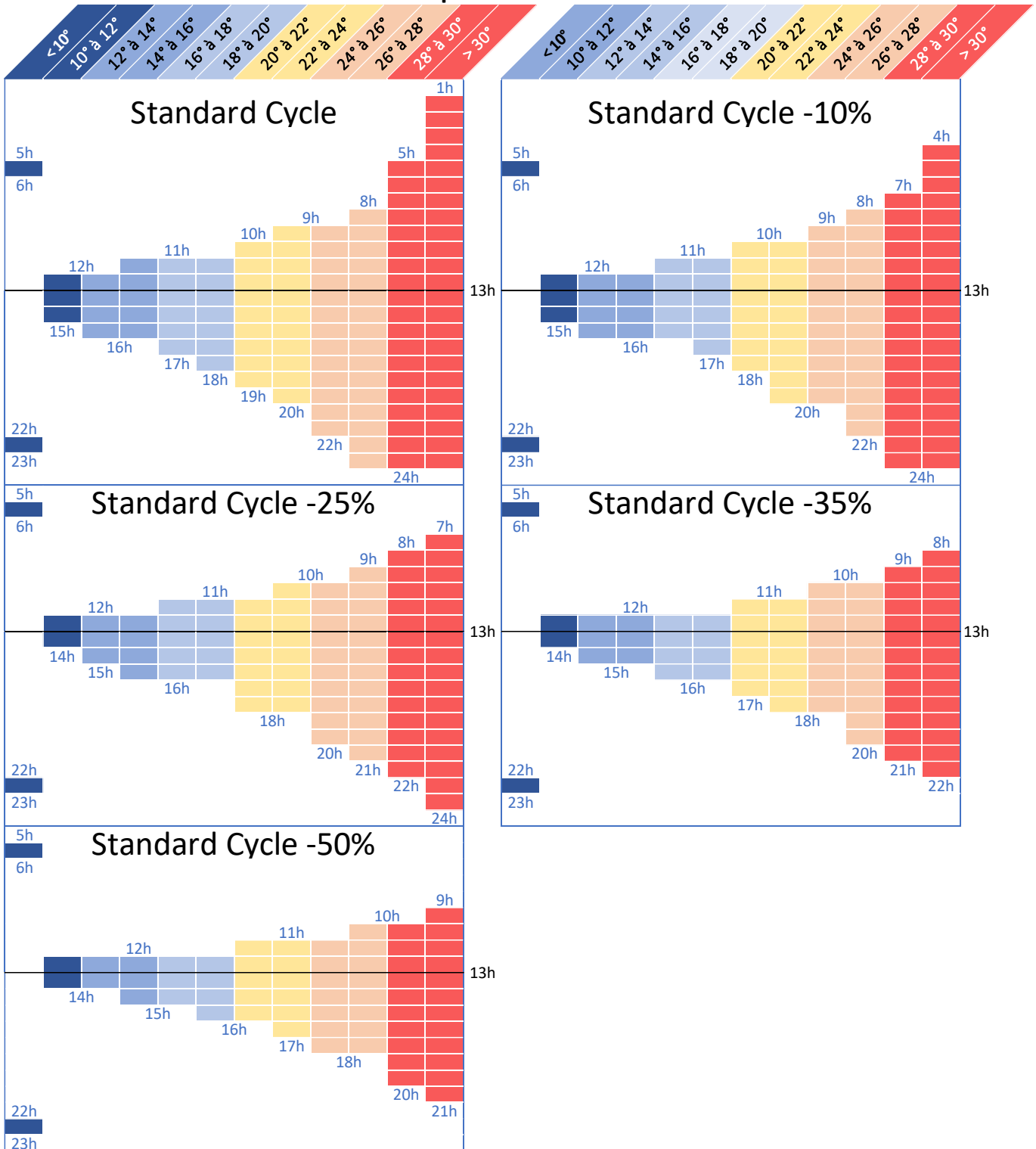
H/ Filtration management

The application allows you to turn on the filtration (ON) or to program it in time mode or in thermo-adaptive mode. The table below describes the operation of the different modes:

OFF	Stop filtration
ON	Activate Filtration (continuous forced activation)
AUTO THERMO-ADAPTATIVE (See table on next page)	Filtration time automatically adjusted according to the pool water temperature. In this mode, it is possible to use the "Daily adjustment" function to adapt the filtration schedule to a temporary event (prolonged absence, over-attendance, heatwave, storm, etc.).
AUTO – WITH TIME RANGES	Allows you to define up to 8 daily filtration ranges and assign them to the different days of the week.
BOOST	Available only in AUTO mode. Allows the filtration to be forced over a period of 24 or 48 hours (in the event of high frequentation for example) At the end of the BOOST cycle, the filtration turns back in its previous mode.

In thermo-adaptive filtration, the daily filtration times are automatically defined according to the water temperature according to the models described in the following graphs. It is possible to adjust the durations of +/- 4 hours using the "Daily adjustment" function.

Thermo-adaptative Filtration Models



The pool freeze Protection mode automatically activates filtration to prevent water from freezing in the pipes.

The operation of the frost protection mode is defined as follows:

- Water Temperature <math>< 4^\circ\text{C}</math>: filtration runs for 15 minutes every 2 hours.
- Water Temperature <math>< 1^\circ\text{C}</math>: filtration runs continuously.

I/ Lighting programming

OFF	Stop lighting
AUTO WITH TIME PROGRAMMING	This mode enables defining several daily ranges for automatic lighting programming, and to assign these ranges to the different days of the week.

J/ Heat pump programming

NB : activating the heat pump automatically starts the filtration

OFF	Stop heat pump
ON (Forced activation)	Heat pump activation. During operation, the filtration is in forced operation. Warning: in this mode, the temperature setpoint used is that programmed on the heat pump
TIME PROGRAMMING	This mode enables to define several "bathing periods" during which the POOL COMMAND maintains the pool temperature according to the setpoint defined as "bathing temperature". If the "bathing temperature" is not defined, the pool will be heated according to the temperature setpoint defined directly on the heat pump. This mode also makes it possible to monitor the temperature outside the "bathing periods" in order to prevent the pool temperature from dropping too much. By activating this function, the POOL COMMAND regularly turns on the filtration to check the temperature of the pool and to reactivate the operation of the heat pump if necessary.

WARNING !

To allow the POOL COMMAND to manage the pool temperature, the setpoint temperature set on the heat pump must be set at a temperature higher than the "bathing temperature". It is generally advisable to set the set point temperature of the heat pump to 30 ° C.

K/ Water treatment programming

OFF	Stop Auxiliary.
AUTO	In automatic mode, the water treatment system only works when the filtration is on. In this mode, the auxiliary can operate in the following sub-modes: Activation of Cover Mode: When the pool cover is open, the auxiliary works continuously with filtration. When the cover is closed, the auxiliary operates at an hourly rate defined by the user (setting from 0 to 60 min / h). Please note, if your salt chlorinator is equipped with a cover sensor or a REDOX probe (chlorine production is managed automatically), it is not recommended to use the cover mode.

L/ Hydraulic robot programming

OFF	Stop Hydraulic robot
ON (Forced activation)	Activate the Robot. During operation, the filtration is in forced operation.
TIME PROGRAMMING	This mode enables defining several daily ranges for automatic operation, and to assign these ranges to the different days of the week. During the periods of operation of the robot, the filtration is in forced operation.

M/ Other equipment programming

OFF	Stop auxiliary equipment
ON	Activate auxiliary equipment
TIME PROGRAMMING	This mode enables defining several daily ranges for automatic operation of the auxiliary equipment, and to assign these ranges to the different days of the week.

N/ Control of a compatible Bluetooth device

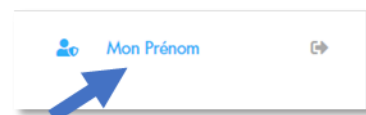
The association of a compatible Bluetooth device makes it possible to control the main functions of this device (mode, setpoint...) as well as to retrieve the measurements taken and the alarms generated by the device. Measurements are collected every 30 minutes, but they are also refreshed each time the user intervenes on the device.

O/ Alerts configuration

A temperature alert can be configured on the web platform :

<https://myindygo.com>

1. On an internet browser, enter the address above
2. Fill in the username and password of the account
3. Select the Alerts tab in the left sidebar
4. Configure the alerts without forgetting to validate them. Alerts can be received either by push notification and / or by email
5. It is also possible to modify / add other email addresses for receiving alerts by clicking on the profile link located at the bottom of the left sidebar



P/ Settings Menu

The "My Pool Command" button in the settings tab of the application provides access to the following functions :

1. **Configuration:** allows you to change the type of equipment connected to AUX1 and AUX2 and also allows you to modify the configuration of the temperature and cover sensors
2. **Software update:** allows you to launch the update of the embedded software of the POOL COMMAND when a new version is available
3. **Remote access:** allows you to test the communication between your POOL COMMAND module and the LRMB radio communication antenna. Press the button to start the test:
 - o The message "Connection established" indicates that the connection is reliable.
 - o If you get the message "No connection established", repeat the test several times. If you cannot pass this test, it is necessary to move your LRMB antenna closer to the POOL COMMAND.

Q/ myindygo.com web platform

Myindygo.com web platform provides access from a PC connected to the Internet to all pool and account data.

Enter the following URL in a web browser, then enter the account address and password:

<https://myindygo.com>

It is therefore possible to access:

- The configuration of the swimming pool (description and location)
- The complete history of data measured by the module
- The operating status of the modules
- Configuration of module alerts

In the user profile, it is also possible to have access to:

- Account configuration (name, address, password, etc.)
- The configuration of email addresses receiving alerts
- The "Professional" tab which allows you to authorize / deny access to pool data by a pool specialist if he has a MyIndygo professional account. In any case, access to the data cannot be done without the prior approval of the owner of the pool.

How many measurements does the module take per day?

- The module takes temperature measurements every 15 minutes when filtration is active.

How does thermo-adaptive filtration work?

- The module analyses the water temperature
- Depending on the mean temperature recorded the day before, the module applies a filtration schedule as defined by the models presented in this document.
- The filtration duration applied each day is entered in the Filtration section under the "Thermo-Adaptive Filtration" Mode.
- If the filtration model does not suit your need, it is possible to choose another one, or to adjust it using the "daily adjustment" parameter

Filtration does not start?

- Check that the filtration button onto the filtration box is in "automatic mode" position.
- Check that the magneto-thermal circuit breaker has not tripped
- Check that the pump starts when the filtration button is in the "forced on" position.

What to do if no data is coming back to the application? Or if I can not control my module remotely from an internet connection?

- Perform a communication test to verify that your module can communicate with the LRMB antenna. See the test procedure in the paragraph "Adjustment menu"
- Check that the LRMB antenna is properly connected to the Internet. Unplug the LRMB then plug it back in and check that the module LED turns green after about 30 seconds. If the LED remains red, reconfigure the WiFi parameters of the LRMB antenna (see the paragraph "Pairing the LRMB radio communication antenna")

Freeze protection is not operating?

- Check that your filtration is in thermo-adaptative mode
- Check that your temperature sensor is reporting data and that these data are consistent

10 - Technical characteristics :

OPERATION :

- Pump Relay : 250VAC-16A
- AUX1 and AUX2 relays : 250VAC-10A
- Temperature probe (PT100)
- Dry contact input for cover
- Operational Temperature: from -10°C to 50°C

POWER SUPPLY:

- 230V-50Hz

COMMUNICATION :

- Bluetooth® Smart 4.0 Low Energy
- Frequency bands used :
 - LoRa™ : [868-868.6]MHz
 - Bluetooth® : [2400-2483.5]MHz

DIMENSIONS : (HxWxD) 90 mm/53mm/62mm



This symbol indicates that the product uses a LoRa™ radio technology



This symbol indicates that the product uses a Bluetooth® radio technology



The "CE" symbol indicates that this device complies with European standards on safety, health, environment and user protection. Devices with the "CE" symbol are intended for sale in Europe.



This symbol indicates that these types of electrical and electronic devices should be disposed of separately in European countries. Do not dispose of this appliance with your household waste. Use the collection and recycling points available in your country when you no longer need this device.

Product manufactured in France by :
INDYGO - SOLEM SAS
5 rue Georges Besse
34830 Clapiers - France
<https://indygo-pool.com/>