

Mini Dosing®

Automatic chlorine dosing
by ORP probe



BENEFITS

- Digital display of ORP value
- Integrated silent dosing pump
- High quality ORP probe



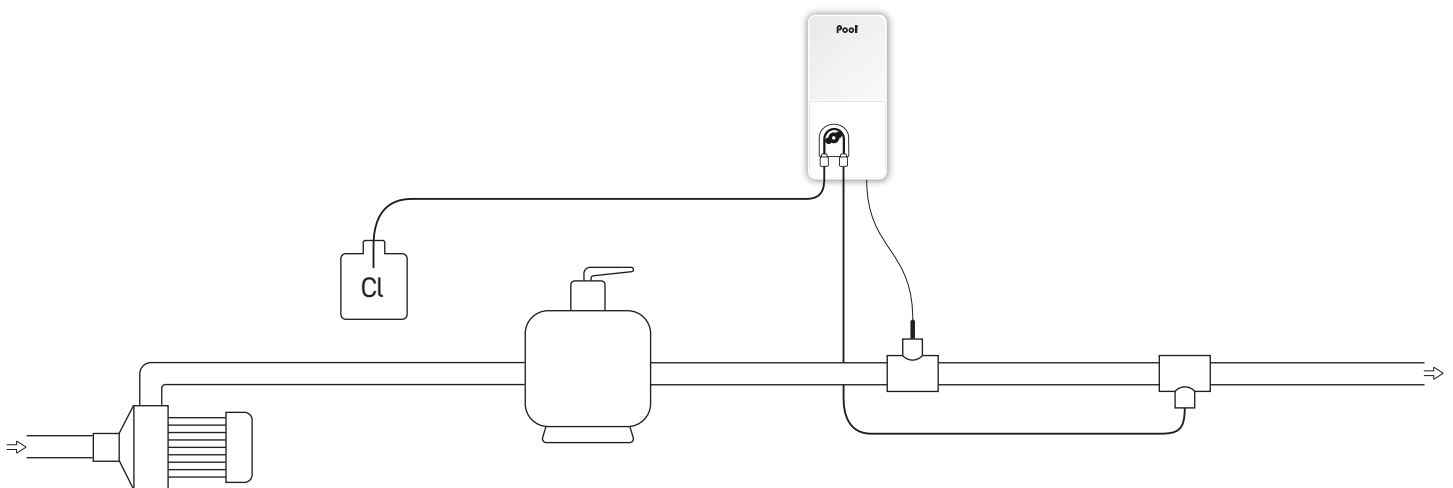
FEATURES

- Chlorine dosage regulation by ORP probe
- Adjustable ORP setpoint
- Safeties: high and low ORP values, overfeeding
- Easy installation and assembly

Model	Pool volume (m ³)	Pump flow (l/h)	Reference
Mini Dosing	120	1,8	D00R20NPSB-G1

Technical specifications	
Display	digital display
Desinfectant dosage	liquid chlorine
Smart injection	by ORP control
ORP setpoint adjustment (mV)	200 to 900
ORP probe calibration	1 point 475 mV
ORP probe	ORP Gold
Control panel size (mm)	W 118 x H 231 x D 78

INSTALLATION DIAGRAM



CONTENT

- Control box
- ORP Gold probe
- ORP calibration solution 475 mV
- Probe holder, injection connector
- Saddle clamp x2 (∅ 50 mm)
- Power cable (2 m)
- Wall support (with screws)

OPTION

- Measure chamber for ORP probe with connection kit

WARRANTIES

2 years Box

1 year Probe ORP Gold