

Justsalt® Duo

Pool
TECHNOLOGIE

Saltwater chlorinator + pH regulator

Benefits

- Intuitive navigation on backlit LCD display
- In line or dashboard display
- Soft touch keyboard with quick access keys
- Low Salt / Normal Salt mode (depending on model)
- High quality pH probe, factory tested and calibrated
- Cell collar diam 50 mm (depending on model)
- Bluetooth remote control with e-Pool® app
- Integrated silent dosing pump
- Compatible with new European regulation (N°2019/1148):
pH correcting agent adjustable concentration
- New clear accessories holder



Features

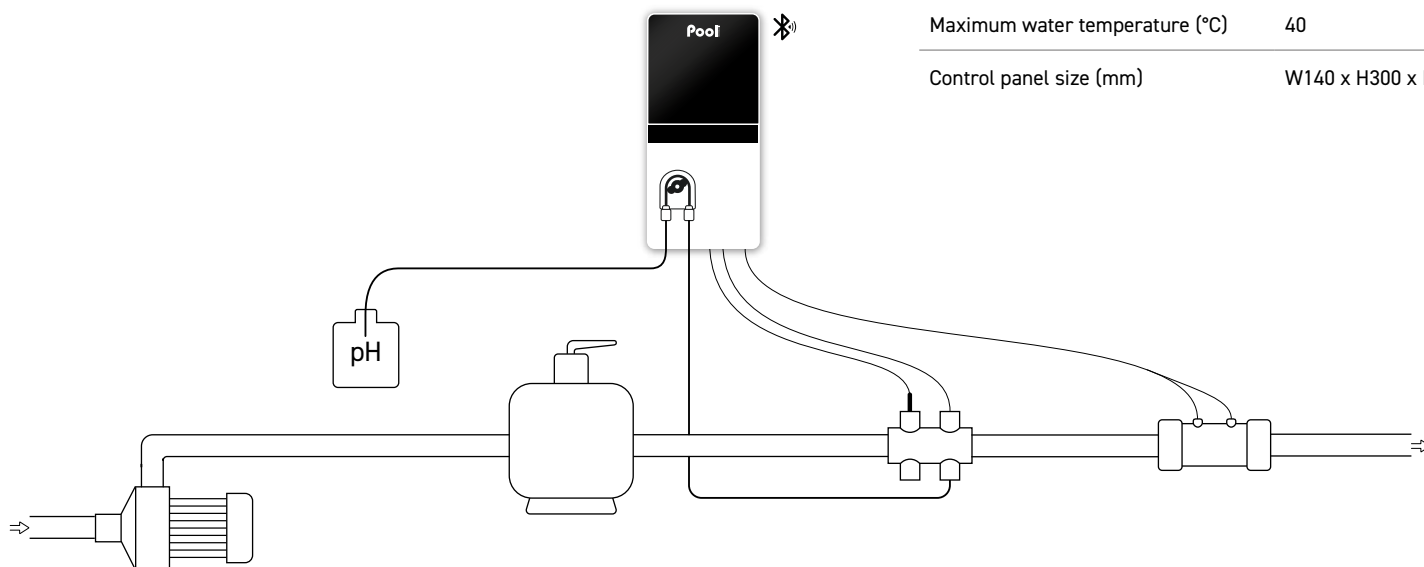
- **Smart Power:** current monitoring ensuring stable production
- **Smart and proportional pH regulation according to the pool volume** in acid (pH-) or base (pH+) mode
- **Self cleaning cell by memory adjustable polarity inversion** according to water hardness
- **Operate at any salt level from 2,5g/l (NS) and 1,5g/l (LS)** without high limit
- **Superboost mode:** 125% superchlorination for up to 48 hours to overcome an increased need of disinfectant
- **Low mode to reduce chlorine production,** when cover closed or bubble cover installed
- **Automatic winterization and restart from 15C°**
- **Multilingual communication interface**
- **Multilingual alarm message:** written message display of malfunction cause
- **Safeties:** alarms for set point overrun and overfeeding
- **Display of pool salt level, water temperature and cell lifespan**
- **Log of events**
- **Self-diagnosis programme for easy maintenance**

Model	Pool volume* m ³	Chlorine Production g/h	Reference
Justsalt Duo NPS 8	40	8	ELPH20NPSA-G4NM08
Justsalt Duo NPS 12	60	12	ELPH20NPSA-G4NM12
Justsalt Duo NPS 16	NS 80 / LS 60	NS 16 / LS 12	ELPH20NPSA-G4HX16
Justsalt Duo NPS 23	NS 120 / LS 80	NS 23 / LS 16	ELPH20NPSA-G4HX23
Justsalt Duo NPS 30	NS 160 / LS 120	NS 30 / LS 23	ELPH20NPSA-G4HX30

* In hot climates, reduce volume by 20% - NS : Normal Salt (5g/l) / LS : Low Salt (1,5g/l)

Technical specifications	
Display	LCD 2 lines
pH pump flow (l/h)	1,8
Corrective solution	pH- or pH+
Type of regulation	smart
pH set point adjustment	from 6,8 to 7,6
Calibration pH probe	2 points pH 7 & pH 10
pH probe	Blue
Polarity inversion adjustment	from 2h to 24h in increments of 1h
Cell installation	in line
Cell orientation	horizontal or vertical
Cell length (mm)	225
Maximum pressure in the cell (bar)	2
Maximum flow in the cell (m ³)	22 or By-pass
Maximum water temperature (°C)	40
Control panel size (mm)	W140 x H300 x D97

Installation diagram



Content

- Control box
- Chlorination cell
- Cell cable (2m)
- pH probe Blue
- Calibration solutions pH 7 & pH 10
- Probe holder, injection connector
- Accessories holder with plugs
- Salt/temperature sensor
- Salt and water hardness analysis kit
- Power cable (2m)
- Collar diam 63mm x2 (50mm <80m³ models)
- Reducer 63/50mm x4
- Wall support (with screws)
- User manual

Options

- Pool Terre grounding electrode
- Independent flow switch
- Empty can sensor
- e-Pool® Connect connected pool kit
see page 52-53



*See a retailer